

**CHAPTER**

**79**

**OIL**

CESSNA®  
**MODEL 208**  
ILLUSTRATED PARTS CATALOG

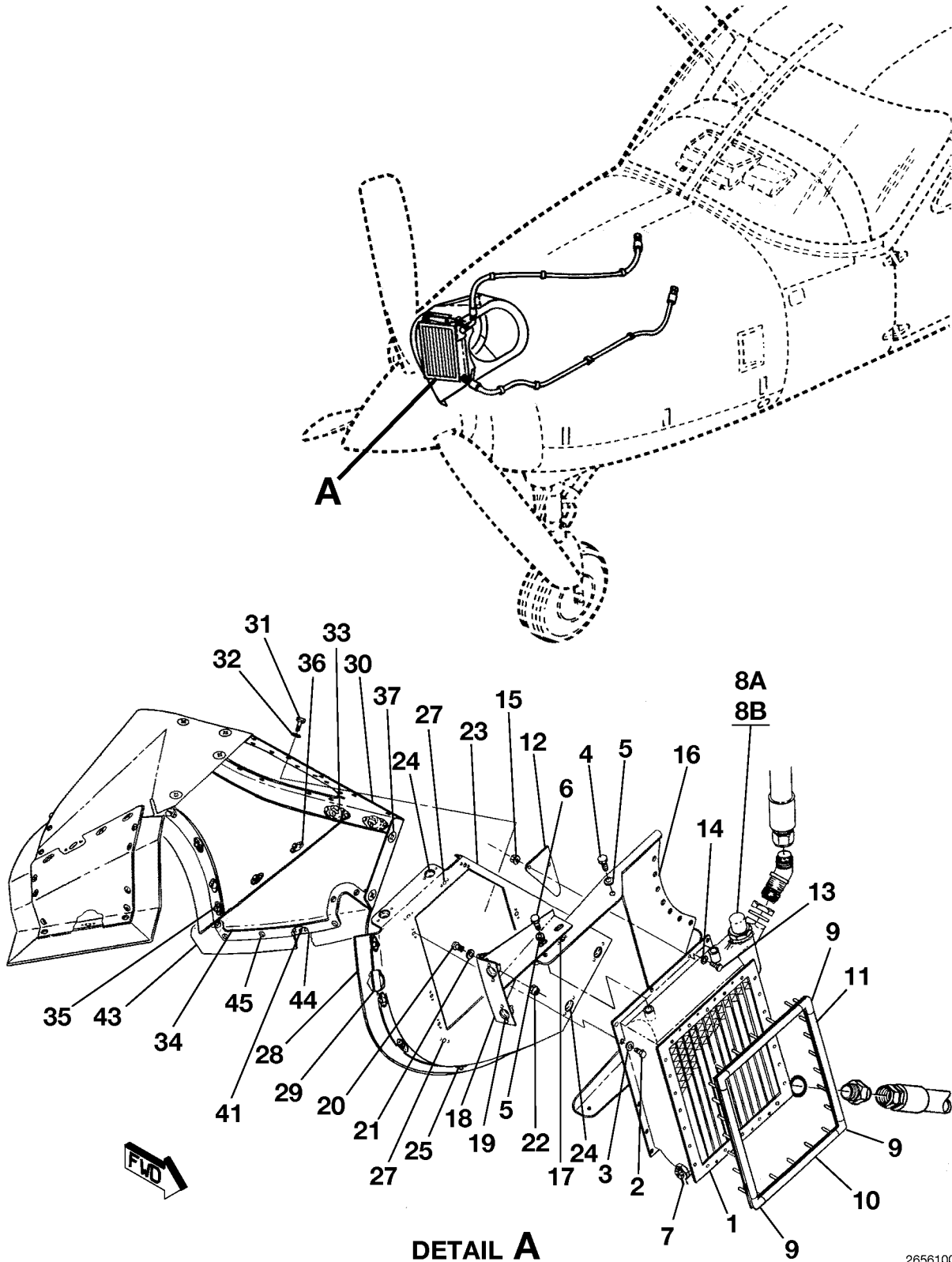
<b>CHAPTER SECTION SUBJECT</b>		<b>NUMBER OF PAGES</b>	<b>DATE</b>
79 - TITLE			
79 - LIST OF EFFECTIVE PAGES			
79 - RECORD OF TEMPORARY REVISIONS			
79 - TABLE OF CONTENTS			
79-20-00	Figure 01	4	Mar 1/2020
79-20-00	Figure 02	6	Mar 1/2019
79-20-00	Figure 03	4	Mar 1/2019
79-30-00	Figure 01	2	Sep 1/2016
79-30-00	Figure 02	2	Mar 1/2020
79-30-00	Figure 03	2	Mar 1/2020

CESSNA®  
**MODEL 208**  
 ILLUSTRATED PARTS CATALOG

<u>SUBJECT</u>	<u>CHAPTER SECTION SUBJECT</u>	<u>FIGURE</u>	<u>EFFECTIVITY</u>	
			<u>START</u>	<u>END</u>
ENGINE OIL COOLING SYSTEM - SMALL	79-20-00	01	0001 B0001	0276 B0038
ENGINE OIL COOLING SYSTEM - LARGE	79-20-00	02	0146 B0039	& ON B4999
ENGINE OIL COOLING SYSTEM - LARGE 867HP	79-20-00	03	B5000	& ON
OIL INDICATING	79-30-00	01	0001 B0001	0499 B1999
TKS OIL INDICATING	79-30-00	02	B2000	& ON
G1000 OIL INDICATING	79-30-00	03	0500 B2000	& ON B4999

CESSNA®  
**MODEL 208**  
 ILLUSTRATED PARTS CATALOG

A24572



**DETAIL A**

ENGINE OIL COOLING SYSTEM - SMALL  
 FIGURE 01 (SHEET 1)

26561002  
 A26562001

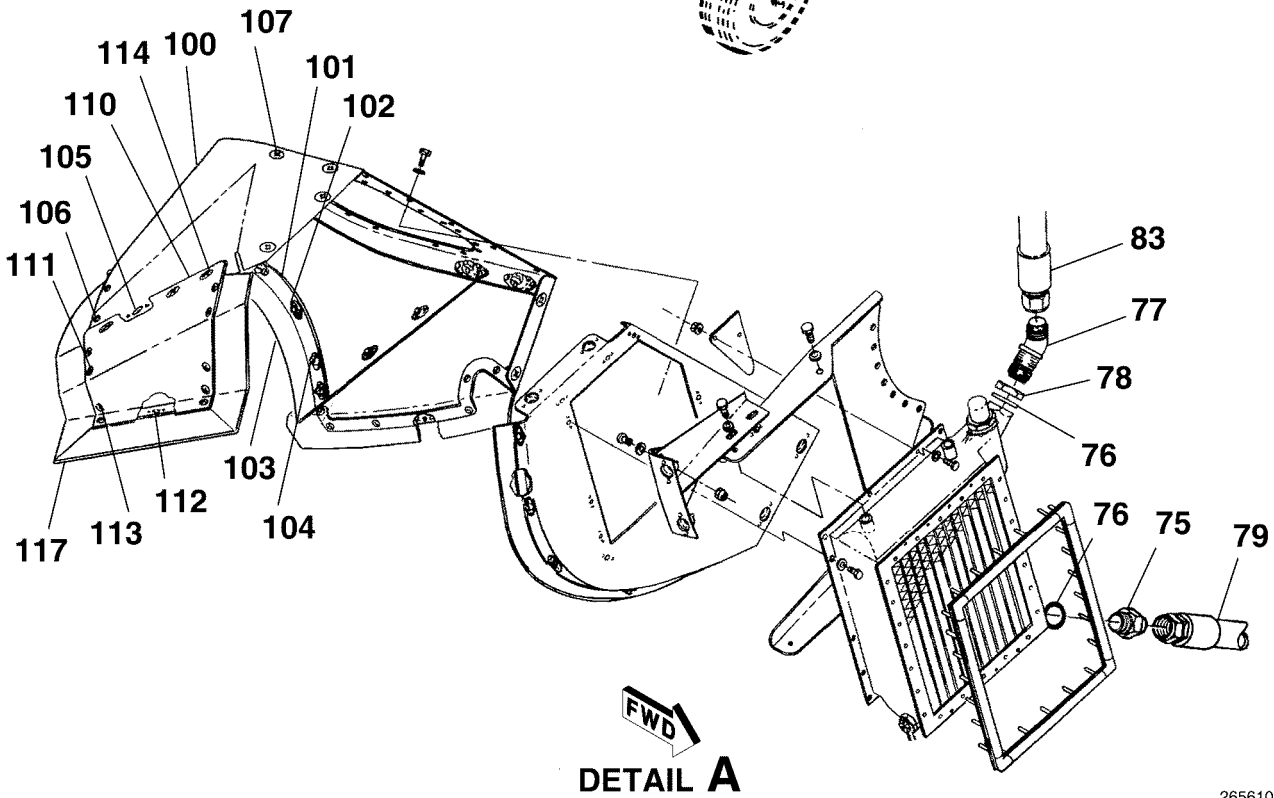
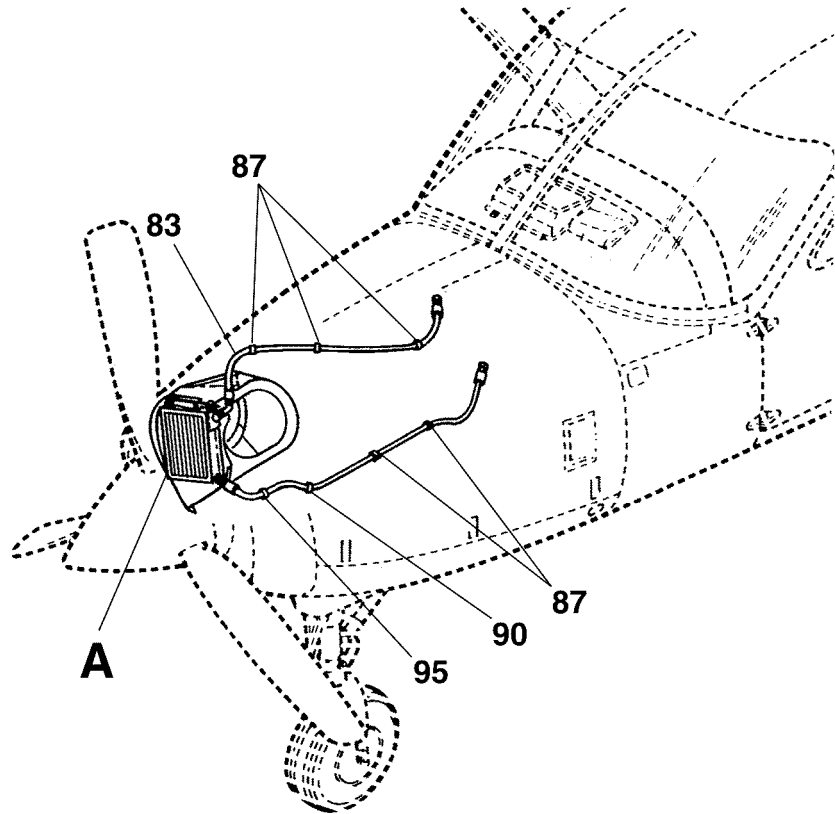
**CESSNA®**  
**MODEL 208**  
**ILLUSTRATED PARTS CATALOG**

FIG ITEM	PART NUMBER	NOMENCLATURE	UNITS PER ASSY		
			1	2	3
01		ENGINE OIL COOLING SYSTEM - SMALL	0001	0276	RF
-			B0001	B0038	
1	9910343-4	OIL COOLER ASSY FSO 9910343-5	0001	0248	NP
			B0001	B0038	
- 1A	9910343-5	OIL COOLER ASSY ATTACHING PARTS	0249	0276	01
2	AN3-3A	BOLT			08
3	NAS1149F0363P	WASHER			08
4	AN4-4	BOLT			03
5	NAS1149F0463P	WASHER			05
6	AN4-5	BOLT			02
		*—			
7	801-033-007	DRAIN PLUG V57733			01
- 8	M83248/1-010	O-RING			01
8A	723655	VERNATHERM V78385			01
8B	723908	GASKET V78385			01
9	CM2022-1	SEALING CORNER-RUBBER			04
10	CM2610-1	SEAL-RUBBER PULL THRU 6.92 IN LG BKI			02
11	CM2610-1	SEAL-RUBBER PULL THRU 9.84 IN LG BKI			02
12	2650033-1	PLATE-OIL COOLER			01
13	AN3-3A	BOLT-PLATE ATTACH			02
14	NAS1149F0363P	WASHER-PLATE ATTACH			02
15	MS21043-3	NUT-PLATE ATTACH			02
16	2650061-1	BRACKET ASSY-OIL COOLER MOUNTING			01
17	MS21069L4	NUTPLATE			01
18	2656012-9	BRACKET ASSY-NOSE CAP SUPPORT			01
19	S2319-50	RECEPTACLE			02
20	MS24694-S50	SCREW			02
21	NAS1149F0332P	WASHER			02
22	MS20364-1032C	NUT			02
23	2650067-6	PANEL ASSY-OIL COOLER FORWARD	0001	0276	01
- 23A	2650067-1	PANEL ASSY-OIL COOLER FORWARD FSO 2650067-6	B0001	B0038	NP
24	S2319-51	RECEPTACLE			04
25	MS21047L3K	NUTPLATE			07
- 26	MS35207-263	SCREW			07
27	NAS686A3K	NUTPLATE			09
28	2650067-5	SEAL			01
29	2650067-4	SEAL RETAINER FSO 2650067-7			01
30	2654006-1	FLANGE ASSY-PRIMARY EXHAUST ATTACHING PARTS			01
		BOLT			05
31	AN3C4A	WASHER			05
32	NAS1149C0363R	*—			
33	S2319-51	RECEPTACLE			06
34	2650068-6	PANEL ASSY-OIL COOLER LOWER FORWARD	0001	0276	01
- 34A	2650068-1	PANEL ASSY-OIL COOLER LOWER FORWARD FSO 2650068-6 ATTACHING PARTS	B0001	B0038	NP
35	MS35207-263	SCREW			01
36	MS35207-261	SCREW			02
		*—			
37	S2319C2	STUD	B0001	B0038	03
- 38	S2319-3	STUD AFT	B0001	B0038	01
- 38A	S2319-4	STUD	0001	0276	04
- 39	S2319-21	GROMMET			04
- 40	CM2791-1	SNAP RING			04
41	MS21047L3K	NUTPLATE			05
- 42	MS21051L3K	NUTPLATE			02
43	2650068-5	SEAL			01
44	2650068-4	SEAL RETAINER			01
45	MS35207-263	SCREW			07

- ITEM NOT ILLUSTRATED

CESSNA®  
**MODEL 208**  
 ILLUSTRATED PARTS CATALOG

A24573



FWD

**DETAIL A**

26561002  
 A26562001

ENGINE OIL COOLING SYSTEM - SMALL  
 FIGURE 01 (SHEET 2)

**CESSNA®**  
**MODEL 208**  
**ILLUSTRATED PARTS CATALOG**

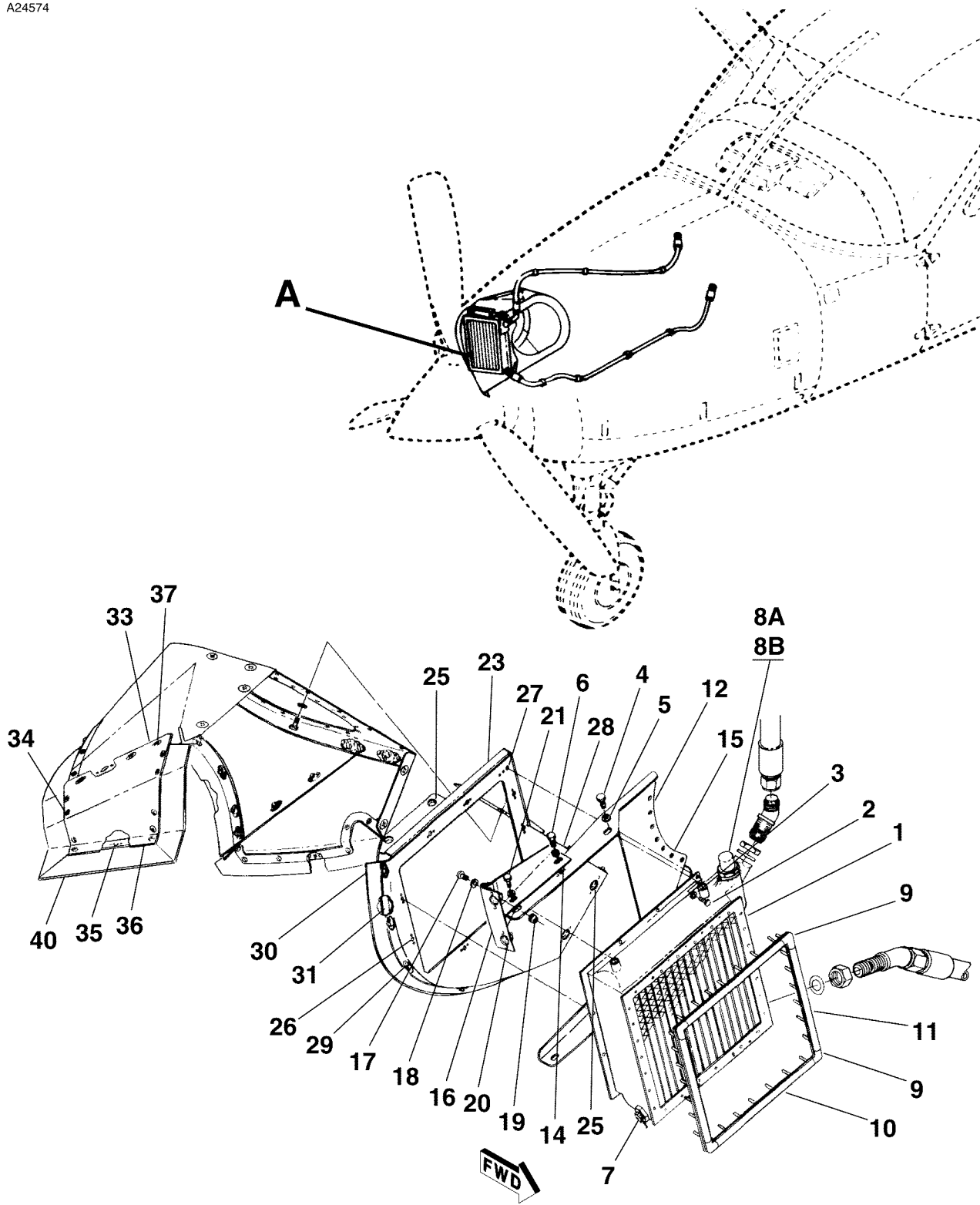
FIG ITEM	PART NUMBER	NOMENCLATURE	UNITS PER ASSY		
			1	2	3
01					
75	MS24392J12	. UNION . . . . .			01
76	MS28778-12	. O-RING . . . . .			02
77	AN837-12J	. ELBOW . . . . .			01
78	AS5178J12	. NUT . . . . .			01
79	S2495-12B0600	. HOSE ASSY FSO S2808-12B0600 REFER TO NOTE 1 . . . . .	0001	0139	NP
- 80	S2808-12B0600	. HOSE ASSY . . . . .	B0001	B0038	
- 81	AE3663163K0600	. HOSE ASSY ALT FOR S2808-12B0600 . . . . .	0140	& ON	01
- 82	VSF1015N12B	. SEAL-CONICAL . . . . .	V00624		01
- 83	S2495-12-0600	. HOSE ASSY FSO S2808-12B0600 REFER TO NOTE 1 . . . . .	V92215	0214	& ON
			0001	0139	NP
			B0001	B0038	
- 84	S2808-12-0600	. HOSE ASSY REFER TO NOTE 2 . . . . .	0140	& ON	01
- 85	AE3663161K0600	. HOSE ASSY ALT FOR S2808-12-0600 REFER TO NOTE 2 . . . . .	V00624	0140	& ON
- 86	VSF1015N12B	. SEAL-CONICAL . . . . .	V92215	0214	& ON
- 87	MS21919DG20	. CLAMP REFER TO NOTE 1 . . . . .	0001	0139	05
			B0001	B0038	
- 88	MS21919DG17	. CLAMP REFER TO NOTE 2 . . . . .	0140	& ON	05
- 89	AN3-5A	. BOLT . . . . .			05
- 90	MS21919DG7	. CLAMP REFER TO NOTE 1 . . . . .	0001	0139	01
			B0001	B0038	
- 91	MS21919DG20	. CLAMP REFER TO NOTE 1 . . . . .	0001	0139	01
			B0001	B0038	
- 92	MS21919DG17	. CLAMP REFER TO NOTE 2 . . . . .	0140	& ON	01
- 93	MS35207-263	. SCREW . . . . .			01
- 94	MS21042L3	. NUT . . . . .			01
- 95	AN742D10	. CLAMP REFER TO NOTE 1 . . . . .	0001	0139	01
			B0001	B0038	
- 96	MS21919DG20	. CLAMP REFER TO NOTE 1 . . . . .	0001	0139	01
			B0001	B0038	
- 97	MS21919DG17	. CLAMP REFER TO NOTE 2 . . . . .	0140	& ON	02 R
- 98	MS35207-263	. SCREW . . . . .			01
- 99	MS21042L3	. NUT . . . . .			01
100	2650066-1	. PANEL ASSY-OIL COOLER UPPER . . . . .			01
101	2650066-7	. SEAL RETAINER ASSY . . . . .			01
102	MS21047L3K	. NUTPLATE . . . . .			10
103	2650066-6	. SEAL . . . . .			01
104	NAS686A3K	. NUTPLATE . . . . .			02
105	S2319-51	. RECEPTACLE . . . . .			04
106	MS35207-263	. SCREW . . . . .			08
107	S2319C2	. STUD . . . . .			06
- 108	S2319-21	. GROMMET . . . . .			06
- 109	CM2791-1	. SNAP RING . . . . .			06
110	2650092-1	. PANEL ASSY-OIL COOLER AFT LOWER . . . . .			01
111	MS35207-263	. SCREW . . . . .			10
112	MS21047L3K	. NUTPLATE . . . . .			02
113	MS21071L3K	. NUTPLATE . . . . .			08
114	S2319C2	. STUD . . . . .			04
- 115	S2319-21	. GROMMET . . . . .			04
- 116	CM2791-1	. SNAP RING . . . . .			04
117	2650092-6	. SEAL . . . . .			01

NOTE 1—AIRPLANES -0001 THRU -0139 AND -B0001 THRU -B0038 NOT INCORPORATING SK208-61.

NOTE 2—AIRPLANES -0140 & ON, AND AIRPLANES -0001 THRU -0139 AND -B0001 THRU -B0038 INCORPORATING SK208-61.

CESSNA®  
**MODEL 208**  
ILLUSTRATED PARTS CATALOG

A24574



**DETAIL A**

ENGINE OIL COOLING SYSTEM - LARGE  
FIGURE 02 (SHEET 1)

26561002  
A2656R2003



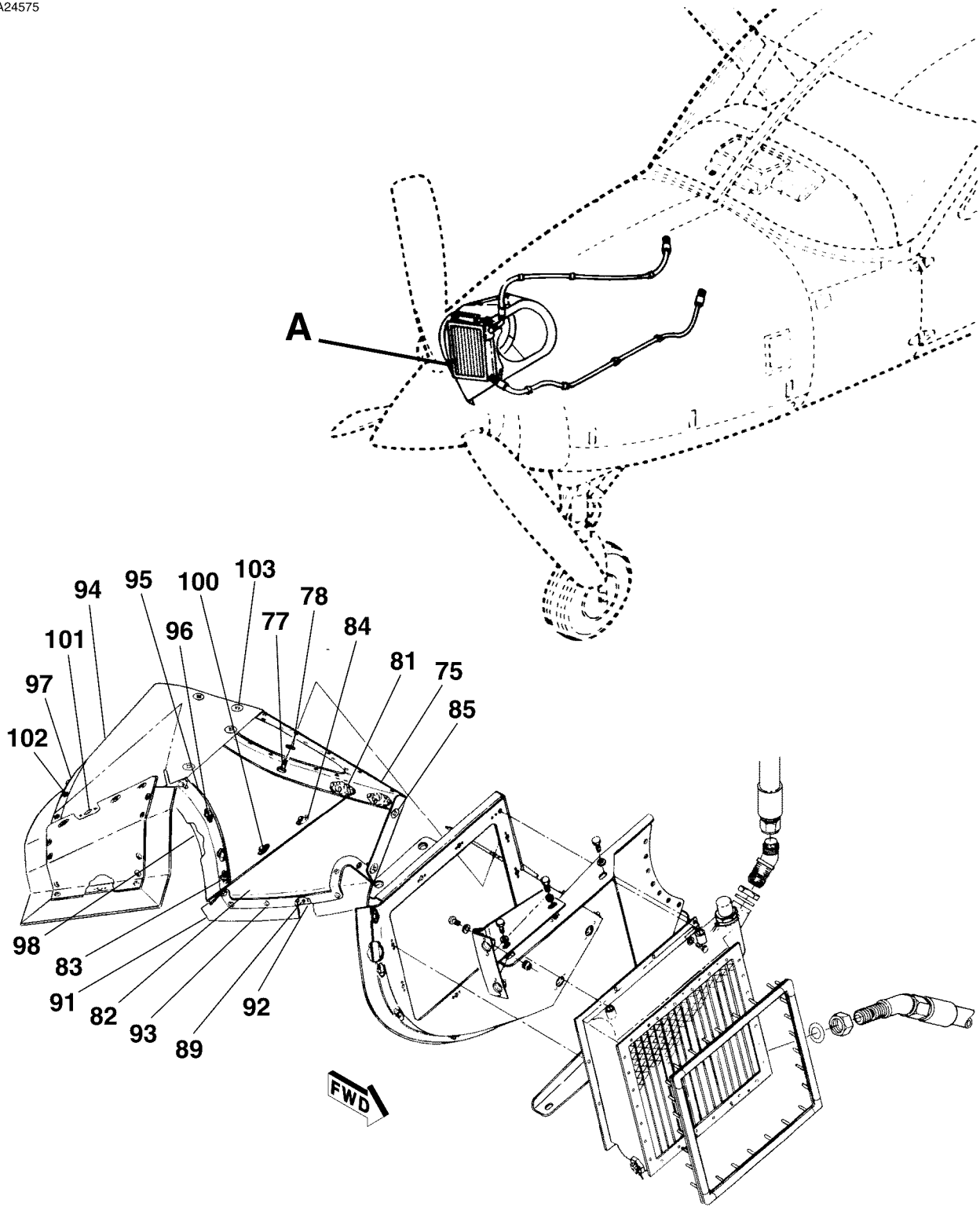
**CESSNA®**  
**MODEL 208**  
**ILLUSTRATED PARTS CATALOG**

FIG ITEM	PART NUMBER	NOMENCLATURE	UNITS	
			PER ASSY	PER ASSY
02		ENGINE OIL COOLING SYSTEM - LARGE REFER TO NOTE 1	0146	& ON RF
-			B0039	B4999
1	9910085-2	. OIL COOLER-LARGE . . . . .		01
		. ATTACHING PARTS . . . . .		
2	AN3-3A	. BOLT . . . . .		10
3	NAS1149F0363P	. WASHER . . . . .		10
4	AN4-4	. BOLT . . . . .		03
5	NAS1149F0463P	. WASHER . . . . .		05
6	AN4-5	. BOLT . . . . .		02
		—*—		
7	801-033-007	. PLUG . . . . .	V57733	01
- 8	M83248/1-010	. O-RING . . . . .		01
8A	723655	. VERNATHERM . . . . .	V78385	01
8B	723908	. GASKET . . . . .	V78385	01
9	CM2022-1	. SEALING CORNER-RUBBER . . . . .		04
10	CM2610-1	. SEAL-RUBBER PULL THRU 9.38 IN LG BKI . . . . .		02
11	CM2610-1	. SEAL-RUBBER PULL THRU 9.73 IN LG BKI . . . . .		02
12	2650004-6	. MOUNTING BRKT ASSY UPR-OIL COOLER . . . . .		01
- 13	2650004-6	. MOUNTING BRKT ASSY UPR-OIL COOLER . . . . .		01
14	MS21069-4	. NUTPLATE . . . . .		01
15	2650004-9	. BRACKET-OIL COOLER MOUNTING LOWER . . . . .		01
16	2656012-4	. SUPPORT ASSY-NOSE CAP . . . . .		01
		. ATTACHING PARTS . . . . .		
17	MS24694-S50	. SCREW . . . . .		02
18	NAS1149F0332P	. WASHER . . . . .		02
19	MS20364-1032C	. NUT . . . . .		02
		—*—		
20	S2319-50	. RECEPTACLE . . . . .		02
21	2650009-4	. SUPPORT BRACKET WELD ASSY FSO 2650100-2 . . . . .	0001 0145	NP
			B0001	B0105
- 22	2650100-2	. SUPPORT WELD ASSY . . . . .	0146 & ON	01
			B0106 & ON	
23	2650098-4	. PANEL ASSY-OIL COOLER FSO 2650098-5 . . . . .	0001 0217	NP
			B0001	B0306
- 24	2650098-5	. PANEL ASSY-OIL COOLER . . . . .	0218 & ON	01
			B0307 & ON	
25	S2319-51	. RECEPTACLE . . . . .		04
26	NAS686A3K	. NUTPLATE . . . . .		10
27	NAS687A3K	. NUTPLATE . . . . .		01
28	NAS686A3K	. NUTPLATE . . . . .		05
29	MS21047L3K	. NUTPLATE . . . . .		07
30	2650067-5	. SEAL . . . . .		01
		. ATTACHING PARTS . . . . .		
31	2650067-4	. SEAL RETAINER . . . . .		01
- 32	AN525-10R6	. SCREW . . . . .		07
		—*—		
33	2650092-7	. AFT LWR PANEL ASSY-OIL COOLER . . . . .		04
34	MS35207-263	. SCREW . . . . .		10
35	MS21047L3K	. NUTPLATE . . . . .		02
36	MS21071L3K	. NUTPLATE . . . . .		04
37	S2319C2	. STUD . . . . .		04
- 38	S2319-21	. GROMMET . . . . .		04
- 39	CM2791-1	. SNAP RING . . . . .		04
40	2650092-6	. SEAL . . . . .		01

NOTE 1—AIRPLANES -0146 AND ON AND -B0039 THRU -B4999, AND AIRPLANES -0001 THRU -0145 AND -B0001 THRU -B0038 INCORPORATING SK208-40.

CESSNA®  
**MODEL 208**  
ILLUSTRATED PARTS CATALOG

A24575



**DETAIL A**

ENGINE OIL COOLING SYSTEM - LARGE  
FIGURE 02 (SHEET 2)

26561002  
A26562003

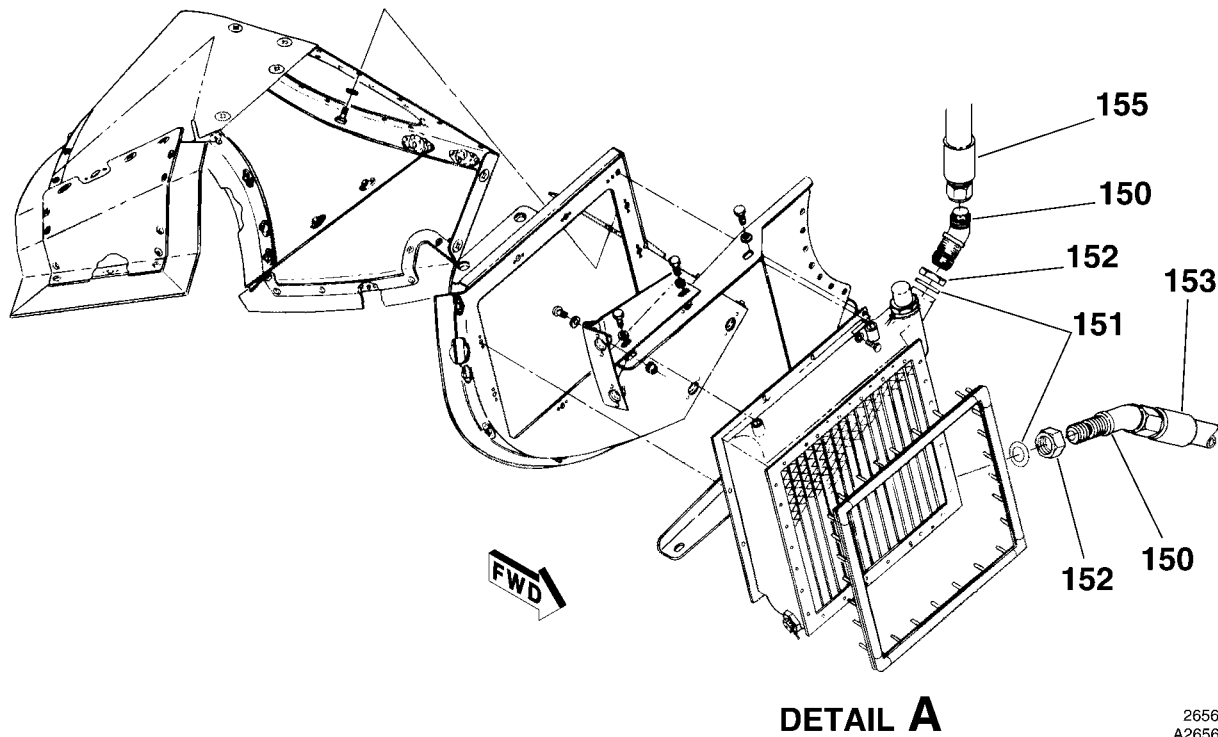
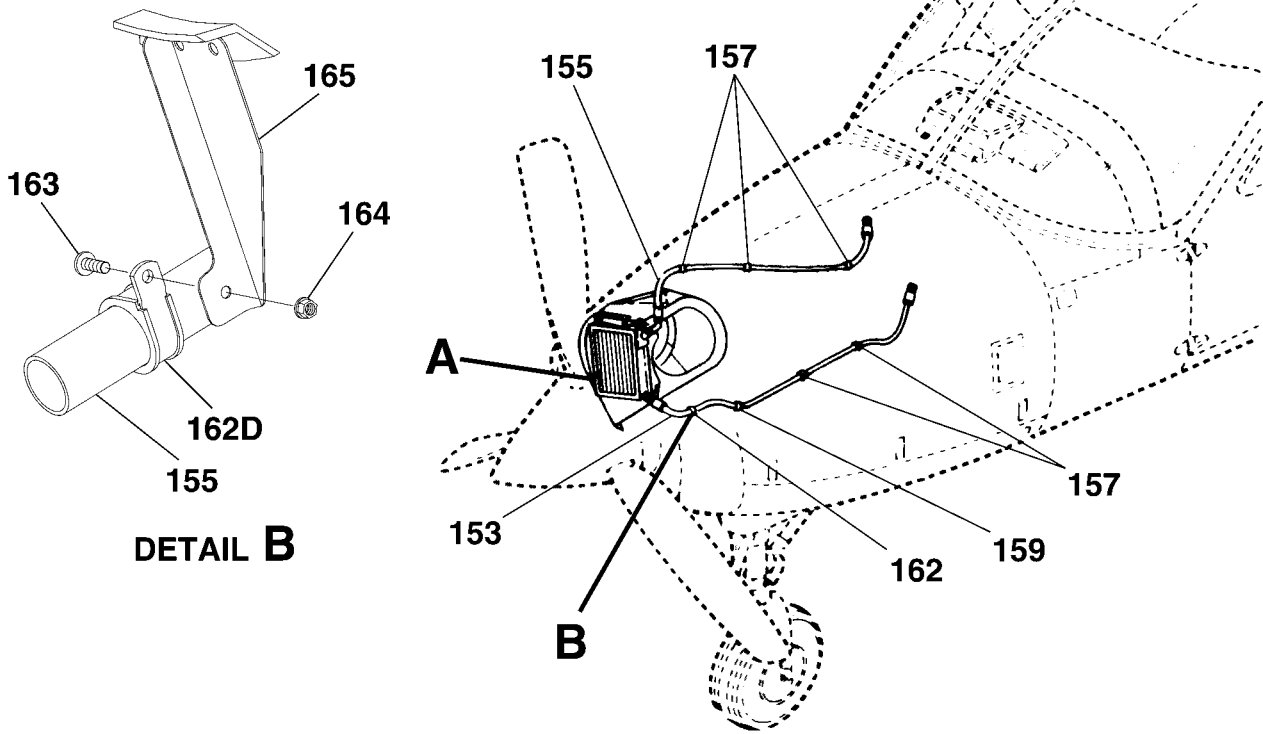
CESSNA®  
**MODEL 208**  
 ILLUSTRATED PARTS CATALOG

FIG ITEM	PART NUMBER	NOMENCLATURE	UNITS PER ASSY		
			1	2	3
02					
75	2654006-8	. FLANGE ASSY-PRIMARY EXHAUST FSO 2654006-10 . . . . .	0001	0217	NP
- 76	2654006-10	. FLANGE ASSY-PRIMARY EXHAUST . . . . .	B0001	B0306	
		. ATTACHING PARTS	0218	& ON	01
			B0307	& ON	
77	AN3C4A	. BOLT . . . . .			06
78	NAS1149C0363R	. WASHER . . . . .			06
- 79	MS21042L3	. NUT . . . . .			02
- 80	NAS1149C0363R	. WASHER UNDER NUT . . . . .			02
		*—			
81	S2319-51	. RECEPTACLE . . . . .			06
82	2650068-6	. LOWER PANEL ASSY-OIL COOLER FORWARD . . . . .			01
		. ATTACHING PARTS			
83	MS35207-264	. SCREW . . . . .			01
84	MS35207-261	. SCREW . . . . .			02
		*—			
85	S2319-4	. STUD . . . . .			04
- 86		. DELETED-NOT USED . . . . .			
- 87	S2319-21	. GROMMET . . . . .			04
- 88	CM2791-1	. SNAP RING . . . . .			04
89	MS21047L3K	. NUTPLATE . . . . .			05
- 90	MS21051L3K	. NUTPLATE . . . . .			02
91	2650068-5	. SEAL . . . . .			01
92	2650068-4	. SEAL RETAINER . . . . .			01
93	MS35207-263	. SCREW . . . . .			07
94	2650010-13	. UPPER PANEL ASSY-OIL COOLER . . . . .			01
95	2650010-12	. SEAL RETAINER ASSY-INNER . . . . .			01
96	MS21047L3K	. NUTPLATE . . . . .			10
97	2650010-15	. SEAL RETAINER-OUTER . . . . .			01
98	2650010-10	. SEAL-INNER . . . . .			01
- 99	2650010-9	. SEAL-OUTER . . . . .			01
100	MS21059L3K	. NUTPLATE . . . . .			02
101	S2319-51	. RECEPTACLE . . . . .			04
102	MS35207-264	. SCREW . . . . .			08
103	S2319-4	. STUD . . . . .			06
- 104	S2319-21	. GROMMET . . . . .			06
- 105	CM2791-1	. SNAP RING . . . . .			06

- ITEM NOT ILLUSTRATED

CESSNA®  
**MODEL 208**  
 ILLUSTRATED PARTS CATALOG

A24576



ENGINE OIL COOLING SYSTEM - LARGE  
 FIGURE 02 (SHEET 3)

26561002  
 A26562003  
 B2656T1032

**CESSNA®  
MODEL 208  
ILLUSTRATED PARTS CATALOG**

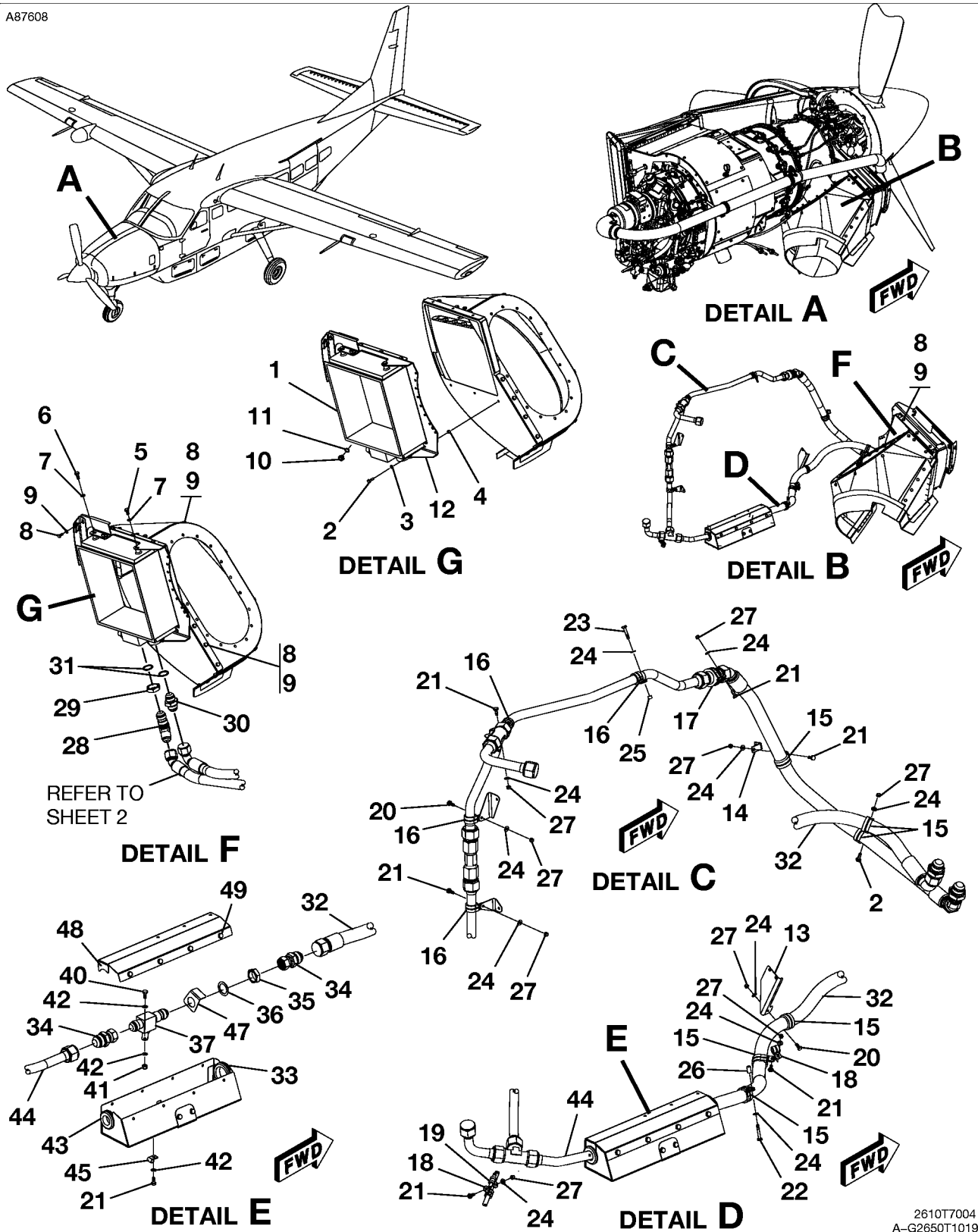
FIG ITEM	PART NUMBER	NOMENCLATURE	UNITS PER ASSY																
			1	2	3	4	5	6	7										
02																			
150	AN837-12J	. ELBOW . . . . .																	02
151	MS28778-12	. O-RING . . . . .																	02
152	AS5178J12	. NUT . . . . .																	02
153	S2495-12B0600	. HOSE ASSY-LOWER FSO S2808-12B0600 REFER TO NOTE 1 . . . . .																	0001 0139 NP R
- 153A	S2808-12B0600	. HOSE ASSY-LOWER ALT FOR AE3663163K0600 REFER TO NOTE 2 . . . . .																	B0001 B0117 0140 & ON 01 R
- 153B	AE3663163K0600	. HOSE ASSY-LOWER ALT FOR S2808-12B0600 REFER TO NOTE 2 . . . . .																	V00624 0140 & ON 01 R
- 154	VSF1015N12B	. . SEAL-CONICAL . . . . .																	B0118 & ON 0214 & ON 02
155	S2495-12-0600	. HOSE ASSY-UPPER FSO S2808-12B0600 REFER TO NOTE 1 . . . . .																	B0297 & ON 0001 0139 NP R
- 155A	S2808-12-0600	. HOSE ASSY-UPPER FSO 2808-12B0600 REFER TO NOTE 3 . . . . .																	B0001 B0117 0140 0156 NP R
- 155B	AE3663161K0600	. HOSE ASSY-UPPER ALT FOR S2808-12B0600 REFER TO NOTE 3 . . . . .																	B0118 B0188 0140 0156 NP R
- 155C	S2808-12B0600	. HOSE ASSY-UPPER . . . . .																	B0118 B0188 0157 & ON 01 R
- 155D	AE3663163K0600	. HOSE ASSY-UPPER ALT FOR S2808-12B0600 . . . . .																	B0189 & ON 0157 & ON 01 R
- 156	VSF1015N12B	. . SEAL-CONICAL . . . . .																	B0189 & ON V92215 0214 & ON 02
157	MS21919DG20	. CLAMP REFER TO NOTE 1 . . . . .																	B0297 & ON 0001 0139 05
- 157A	MS21919WDG17	. CLAMP REFER TO NOTE 2 . . . . .																	B0001 B0117 0140 & ON 05
- 158	AN3-5A	. BOLT . . . . .																	B0118 & ON 05
159	MS21919WDG7	. CLAMP REFER TO NOTE 1 . . . . .																	0001 0139 01
- 159A	MS21919DG20	. CLAMP REFER TO NOTE 1 . . . . .																	B0001 B0117 0001 0139 01
- 159B	MS21919WDG17	. CLAMP REFER TO NOTE 2 . . . . .																	B0001 B0117 0140 & ON 02
- 160	MS35207-263	. SCREW . . . . .																	B0118 & ON 01
- 161	MS21042L3	. NUT . . . . .																	0001 0139 01
162	AN742D10	. CLAMP REFER TO NOTE 1 . . . . .																	B0001 B0117 0327 & ON 01
- 162A	S1601-18	. CLAMP . . . . .																	B0825 & ON 0001 0139 01
- 162B	MS21919DG20	. CLAMP REFER TO NOTE 1 . . . . .																	B0001 B0117 0140 0326 02
- 162C	MS21919WDG17	. CLAMP REFER TO NOTE 2 . . . . .																	B0118 B0824 0327 & ON 01
162D	MS21919WDG17	. CLAMP . . . . .																	B0825 & ON 0001 0326 01
163	MS35207-263	. SCREW . . . . .																	B0001 B0824 0353 & ON 01
- 163A	MS35207-271	. SCREW . . . . .																	B0929 & ON 0327 0352 01
164	MS21042L3	. NUT . . . . .																	B0825 B0928 01
165	2650113-5	. BRACKET . . . . .																	0353 & ON 01
																			B0929 & ON

NOTE 1—AIRPLANES -0001 THRU -0139 AND -B0001 THRU -B0117 NOT INCORPORATING SK208-61.  
 NOTE 2—AIRPLANES -0001 THRU -0139 AND -B0001 THRU -B0117 INCORPORATING SK208-61.  
 NOTE 3—AIRPLANES -0140 THRU -0156 AND -B0118 THRU -B0188, AND AIRPLANES -0001 THRU -0139 AND -B0001 THRU -B0117 INCORPORATING SK208-61.

- ITEM NOT ILLUSTRATED

CESSNA®  
**MODEL 208**  
 ILLUSTRATED PARTS CATALOG

A87608



ENGINE OIL COOLING SYSTEM - LARGE 867HP  
 FIGURE 03 (SHEET 1)

2610T7004  
 A-G2650T1019

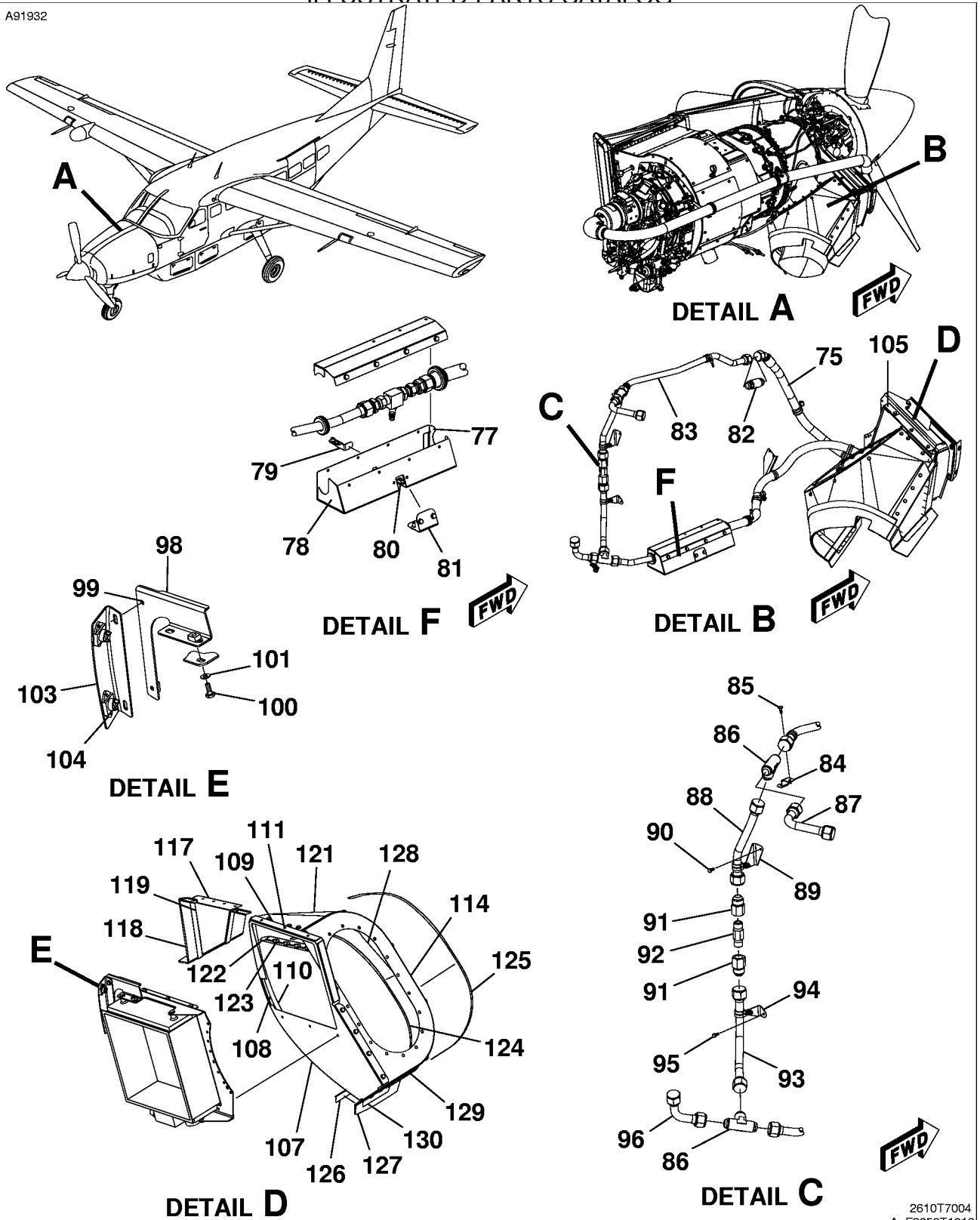
**CESSNA®**  
**MODEL 208**  
**ILLUSTRATED PARTS CATALOG**

FIG ITEM	PART NUMBER	NOMENCLATURE	UNITS	
			PER	ASSY
03		ENGINE OIL COOLING SYSTEM - LARGE 867HP	B5000	& ON RF
-		. OIL COOLER . . . . .		01
1	9910636-1	. ATTACHING PARTS . . . . .		
2	AN3C5A	. BOLT . . . . .		04
3	NAS1149C0332R	. WASHER . . . . .		03
4	NAS43HT3-13	. SPACER . . . . .		03
5	AN4CH4A	. BOLT . . . . .		03
6	AN4CH5A	. BOLT . . . . .		01
7	NAS1149C0432R	. WASHER . . . . .		04
8	AN3C3A	. BOLT . . . . .		32
9	NAS1149C0332R	. WASHER . . . . .		32
		. * . . . .		
10	AS5169J02L	. PLUG/BLEEDER . . . . .		02
11	M83461/2-902	. PACKING . . . . .	V81343	01
12	2650121-28	. MOUNT WELD ASSY FSO 2650121-121 . . . . .	B5000	B5220 NP
- 12A	2650121-119	. MOUNT WELD ASSY FSO 2650121-121 . . . . .	B5221	B5501 NP
- 12B	2650121-121	. MOUNT WELD ASSY . . . . .	B5502	& ON 01 R
13	2650113-5	. BRACKET . . . . .		01
14	MS9593-134	. BRACKET . . . . .		01
15	MS21919WCJ17	. CLAMP . . . . .		06
16	MS21919WCJ12	. CLAMP . . . . .		04
17	MS21919WCJ19	. CLAMP . . . . .		01
18	MS21919WCJ6	. CLAMP . . . . .		02
19	MS21919WCJ4	. CLAMP . . . . .		01
20	AN3C3A	. BOLT . . . . .		08
21	AN3C4A	. BOLT . . . . .		09
22	AN3C12A	. BOLT . . . . .		01
23	AN3C7A	. BOLT . . . . .		01
24	NAS1149C0332R	. WASHER . . . . .		20
25	NAS43HT3-14	. SPACER . . . . .		01
26	NAS43HT3-34	. SPACER . . . . .		02
27	MS21043-3	. NUT . . . . .		03
- 27A	NAS1291C3	. NUT-ALT FOR MS21043-3 . . . . .		05
28	AN837-12J	. ELBOW . . . . .		01
29	AS5178J12	. NUT . . . . .		01
30	AS5174J1212	. UNION . . . . .		02
31	M83461/2-912	. PACKING . . . . .		02
32	AE3663163K0410	. HOSE ASSY . . . . .		01
33	MS35489-27	. GROMMET . . . . .		01
34	12-10_XHX6-S	. EXTENDER-EXPANDER . . . . .		01
35	AN924-10J	. NUT . . . . .		01
36	S1450-14S20-032	. WASHER . . . . .		01
37	BALLH00004-10	. VALVE ASSY-SHUT OFF . . . . .	V91511	01
- 38	010-K4079	. O-RING . . . . .	VL3272	01
- 39	018-K4079	. O-RING . . . . .	VL3272	01
40	S2323-5	. CLAMP . . . . .		01
41	MS21044N3	. NUT . . . . .		01
42	NAS1149C0316R	. WASHER . . . . .		02
43	MS35489-22	. GROMMET . . . . .		01
44	2650121-114	. TUBE ASSY . . . . .		01
45	S2226-3	. CLAMP . . . . .		02
- 46	2650121-115	. SHROUD ASSY . . . . .		01
47	2650121-112	. BRACKET-OIL VALVE . . . . .		01
48	2650121-117	. COVER-AFT UPPER . . . . .		01
49	MS21059L3	. NUTPLATE . . . . .		04
- 49A	NAS1791A3-1	. NUTPLATE-ALT FOR MS21059L3 . . . . .		04

- ITEM NOT ILLUSTRATED

CESSNA®  
**MODEL 208**  
 ILLUSTRATED PARTS CATALOG

A91932



2610T7004  
 A-F2650T1019

ENGINE OIL COOLING SYSTEM - LARGE 867HP  
 FIGURE 03 (SHEET 2)



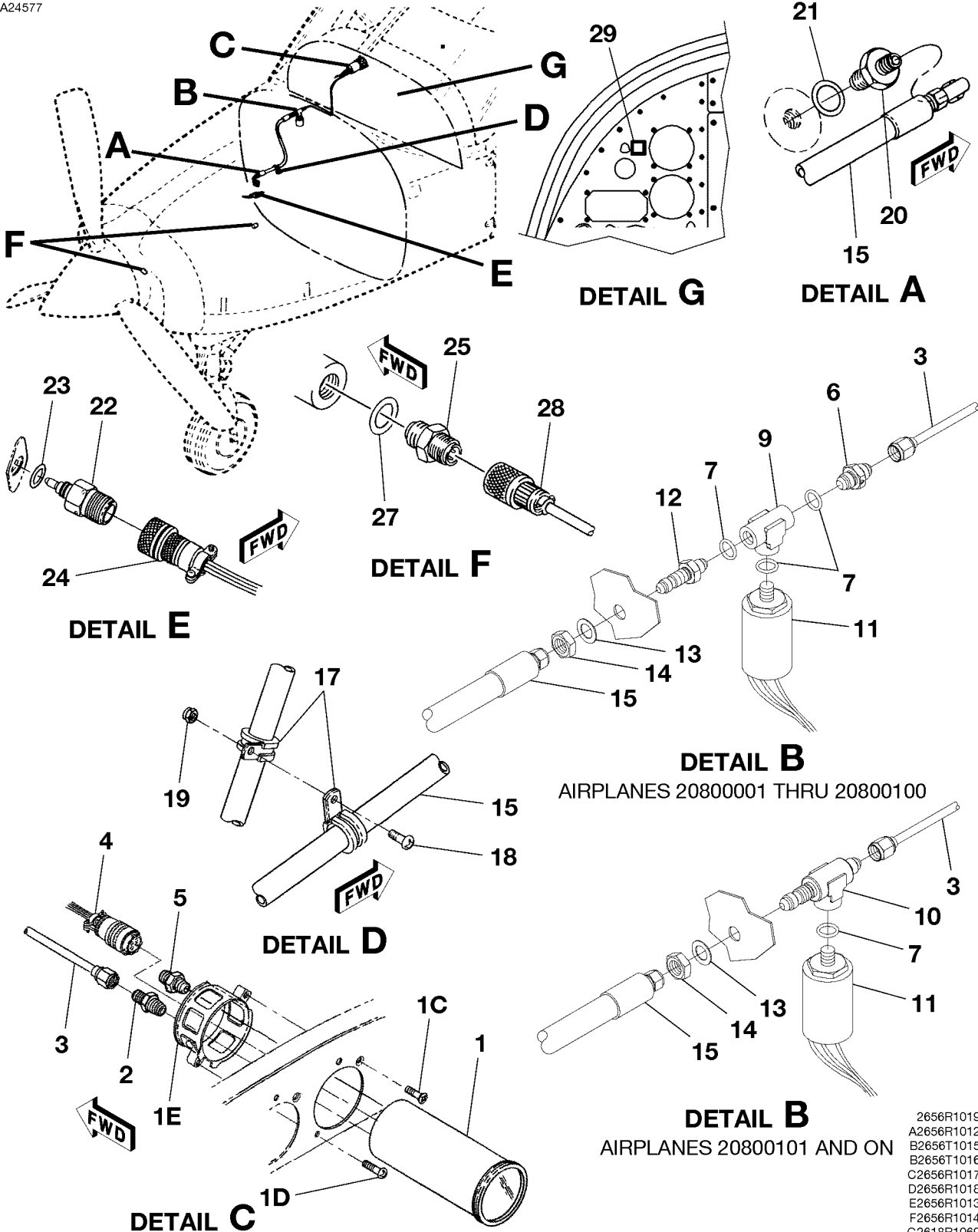
**CESSNA®**  
**MODEL 208**  
**ILLUSTRATED PARTS CATALOG**

FIG ITEM	PART NUMBER	NOMENCLATURE	1 2 3 4 5 6 7							UNITS PER ASSY
03										
75	AE6208K0343-062	HOSE-MAIN SUPPLY								01
- 76	2650121-116	SHROUD ASSY-LOWER OIL VALVE								01
77	2650121-107	COVER-FWD								01
78	2650121-109	COVER-AFT								01
79	2650121-110	BRACKE ASSY-CABLE								01
80	MS21059L3	NUTPLATE								08
- 80A	NAS1791A3-1	NUTPLATE-ALT FOR MS21059L3								08
81	2650121-106	ACCESS PANEL-CONTROL								01
82	C100490-1	VALVE-FLAP CHECK								01
83	2650121-97	TUBE ASSY								01
84	2650121-104	BRACKET-OIL TUBE								01
85	AN3-5A	BOLT								01
86	AS1035-121212	TEE								02
87	2650121-96	TUBE ASSY								01
88	2650121-98	TUBE ASSY								01
89	2650121-103	BRACKET-OIL TUBE								01
90	AN3-3A	BOLT								01
91	12-8 GTX-S	FEMALE CONNECTOR								02
92	2650121-118	CHECK VALVE								01
93	2650121-93	TUBE ASSY								01
94	2650121-102	BRACKET-OIL TUBE								01
95	AN3-3A	BOLT								01
96	2650121-95	TUBE ASSY								01
- 97	2650121-22	SUPPORT ASSEMBLY								01
98	2650121-23	SUPPORT								01
99	MS21059L3K	NUTPLATE								03
		ATTACHING PARTS								
100	AN3C4A	BOLT								01
101	NAS1149C0332R	WASHER								01
		—*—								
- 102	2650121-25	BRACKET ASSY								01
103	2650121-26	BRACKET								01
104	S2319-50	RECEPTACLE								02
105	2650121-51	SHROUD-AFT								01
- 106	2650121-31	FORWARD PANEL ASSY								01
107	2650121-32	FORWARD PANEL								01
108	2650121-3	SEAL RETAINER								01
109	2650121-5	AFT PANEL								01
110	2650121-4	SEAL								01
111	MS21059L3K	NUTPLATE								10
- 112	2650121-6	EXHAUST PANEL ASSY								01
- 113	DDA06482-1	EXHAUST PANEL ASSY REF 2650121 REFER TO NOTE 1						B5004	B5021	01
114	2650121-7	EXHAUST PANEL								01
- 115	MS21059L3K	NUTPLATE								12
- 116	2650121-18	OUTER PANEL ASSY								01
117	2650121-19	OUTER PANEL								01
118	2650121-21	SEAL-OUTER								01
119	2650121-20	SEAL RETAINER-INNER								01
- 120	2650121-8	UPPER PANEL ASSY								01
121	2650121-9	UPPER PANEL								01
122	2650121-17	STIFFENER								01
123	MS21059L3K	NUTPLATE								04
124	2650121-10	SEAL RETAINER-INNER								01
125	2650121-13	SEAL RETAINER-OUTER								01
126	2650121-11	SEAL RETAINER-INNER								01
127	2650121-16	SEAL LOWER-INNER								01
128	2650121-14	SEAL-INNER								01
129	2650121-15	SEAL-OUTER								01
130	2650121-12	SEAL RETAINER-OUTER								01

NOTE 1—WHEN ORDERING DDA PART NUMBERS, ALSO PROVIDE REFERENCE DRAWING NUMBER SHOWN IN NOMENCLATURE COLUMN.

CESSNA®  
**MODEL 208**  
 ILLUSTRATED PARTS CATALOG

A24577



**DETAIL B**  
 AIRPLANES 20800001 THRU 20800100

**DETAIL B**  
 AIRPLANES 20800101 AND ON

- 2656R1019
- A2656R1012
- B2656T1015
- B2656T1016
- C2656R1017
- D2656R1018
- E2656R1013
- F2656R1014
- G2618R1069

OIL INDICATING  
 FIGURE 01 (SHEET 1)

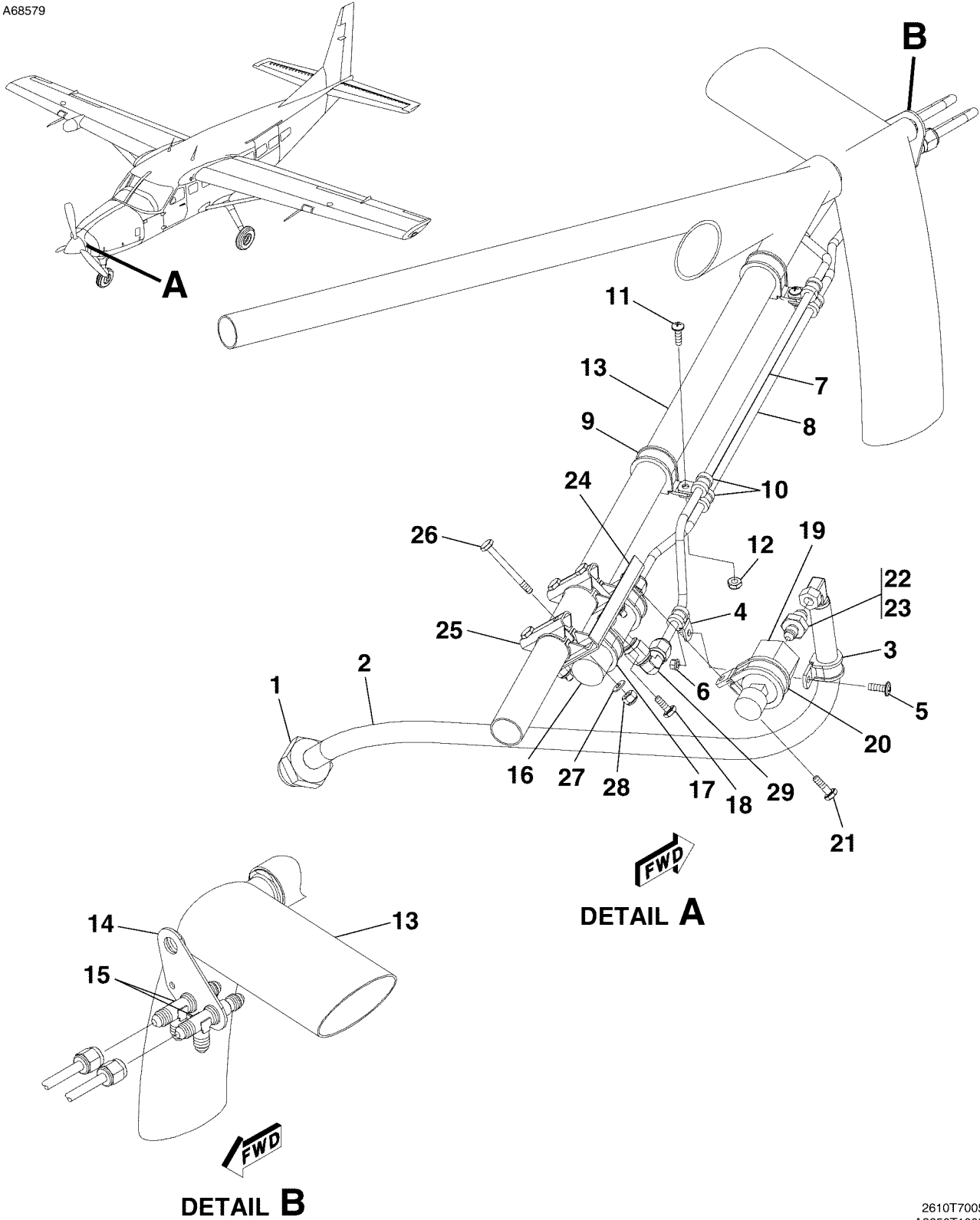
**CESSNA®**  
**MODEL 208**  
**ILLUSTRATED PARTS CATALOG**

FIG ITEM	PART NUMBER	NOMENCLATURE	UNITS PER ASSY		
			1	2	3
01		OIL INDICATING	0001	0499	RF
-			B0001	B1999	
1	2606015-2	. INDICATOR-OIL TEMP/OIL PRESS FSO 2606015-4	0001	0243	NP
			B0001	B0464	
- 1A	2606015-3	. INDICATOR-OIL TEMP/OIL PRESS FSO 2606015-4	0244	0363	NP
			B0465	B0999	
- 1B	2606015-4	. INDICATOR-OIL TEMP/OIL PRESS	0364	0499	01
			B1000	B1999	
		ATTACHING PARTS			
1C	MS24693BB50	. SCREW			01
1D	MS35214-43	. SCREW			01
1E	MS28042-1A	. CLAMP			01
		—*—			
2	AN816-4	. ADAPTER			01
3	2606016-15	. LINE ASSY- INSTRUMENT TO TEE AT FIREWALL FSO 2606016-17	0001	0319	NP
			B0001	B0821	
- 3A	2606016-17	. LINE ASSY- INSTRUMENT TO TEE AT FIREWALL	0320	0363	01
			B0822	B0999	
- 3B	2606016-18	. LINE ASSY- INSTRUMENT TO TEE AT FIREWALL REFER TO NOTE 1	0364	0499	01
			B1000	B1999	
4	MS3116F8-4S	. PLUG-AT INDICATOR			01
5	AN911-1	. NIPPLE-VENT PORT			01
6	MS24392-4	. UNION	0001	0100	01
7	MS28778-4	. O-RING	0001	0100	03
- 8	MS28778-4	. O-RING	0101	0499	01
			B0001	B1999	
9	AN938-4	. TEE	0001	0100	01
10	AN783-4	. TEE	0101	0499	01
			B0001	B1999	
11	9910287-16	. OIL PRESSURE SWITCH			01
12	AN832-4	. UNION	0001	0100	01
13	NAS1149F0732P	. WASHER			01
14	AS5178-04	. NUT			01 R
15	S2808-4B0230	. HOSE ASSY-OIL PRESSURE FIREWALL TO ENGINE			01
- 16	AE3663163E0230	. HOSE ASSY-OIL PRESSURE FIREWALL TO ENGINE ALT FOR S2808-4B0230	V00624		01
17	MS21919DG10	. CLAMP			02
		ATTACHING PARTS			
18	MS35207-264	. SCREW			01
19	MS21044N3	. NUT			01
		—*—			
20	5950017-11	. REDUCER ASSY-OIL PRESSURE			01
21	M83248/1-213	. O-RING			01
22	MS28034-3	. BULB-OIL TEMPERATURE			01
23	M83248/2-904	. O-RING			01
24	S2654-3	. CONNECTOR ASSY AT TEMPERATURE BULB			01
25	3407691	. CHIP DETECTOR ACCS & PROP RED GEAR BOX DRAINS	V36540	0001	0499
			B0001	B1999	02
- 26		. DELETED-NOT USED			
27	M83248/2-908	. O-RING	0001	0499	02
			B0001	B1999	
28	S2654-28	. CONNECTOR ASSY-CHIP DETECTOR	0001	0499	02
			B0001	B1999	
29	4355-16-0001-2	. CHIP DETECTOR INDICATOR-SPERRY AUTOPILOT	V81640		01

NOTE 1—AIRPLANES -0364 AND ON AND -B1000 AND ON, AND AIRPLANES -0001 THRU -0363 AND -B0001 THRU -B0999 INCORPORATING SK208-147.

CESSNA®  
**MODEL 208**  
 ILLUSTRATED PARTS CATALOG

A68579



TKS OIL INDICATING  
 FIGURE 02 (SHEET 1)

2610T7005  
 A2650T1008  
 B2650T1008

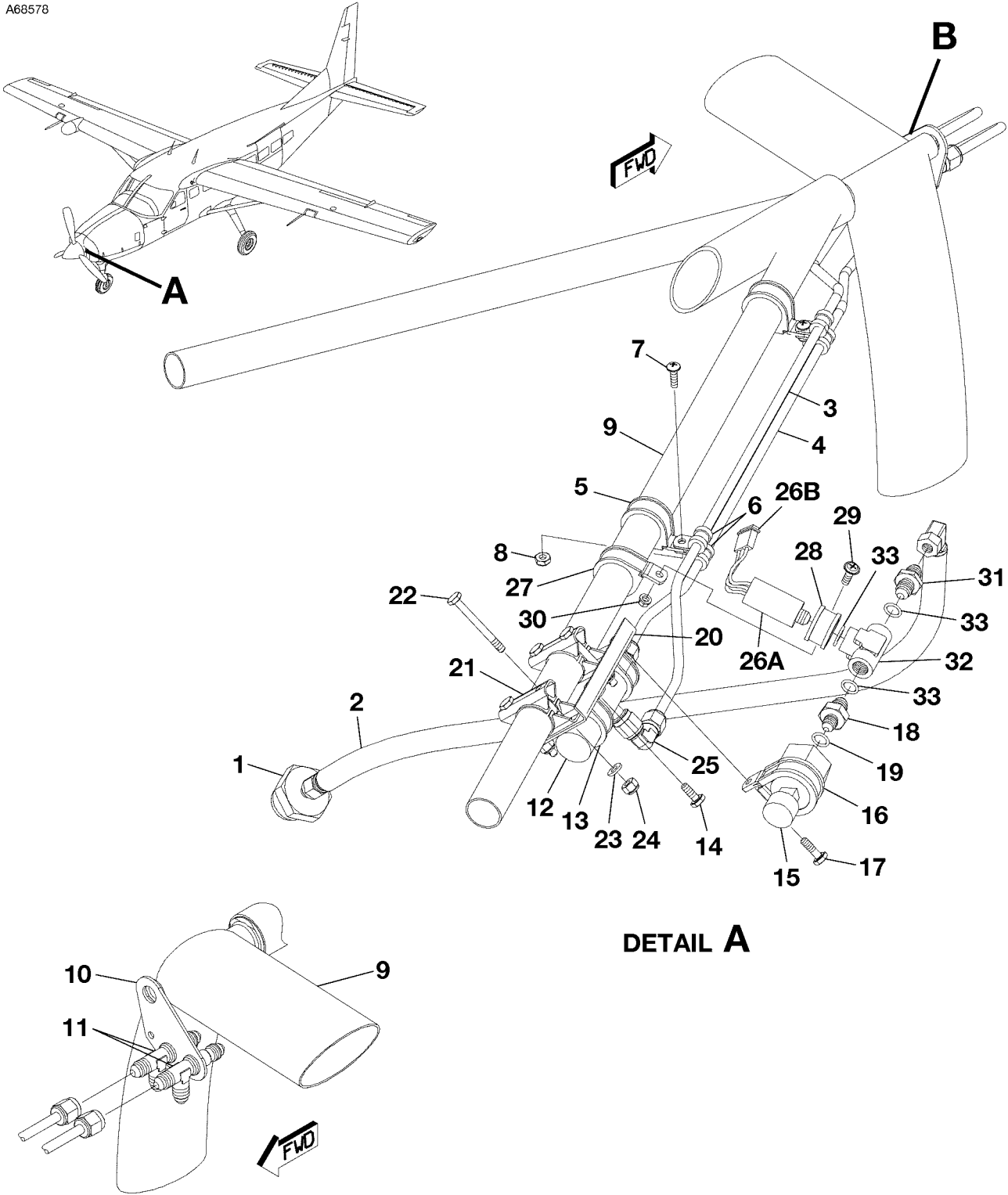
**CESSNA®**  
**MODEL 208**  
**ILLUSTRATED PARTS CATALOG**

FIG ITEM	PART NUMBER	NOMENCLATURE	UNITS			
			1	2	3	PER ASSY
02		TKS OIL INDICATING			B2000 & ON	RF
-		. OIL PRESSURE REDUCER ASSY REFER TO 79-30-00 FIGURE 01 . . . . .				RF
1	S2808-4B0230	. HOSE ASSY . . . . .				01
- 2A	AE3663163E0230	. HOSE ASSY ALT FOR S2808-4B0230 . . . . .			V00624	01
		ATTACHING PARTS				
3	MS21919WDG10	. CLAMP . . . . .				01
4	MS21919WDG4	. CLAMP . . . . .				01
5	MS35207-265	. SCREW . . . . .				01
6	MS21083N3	. NUT . . . . .				01
		—*—				
7	2653048-13	. TUBE ASSEMBLY OIL VENT LINE . . . . .				01
8	2653048-7	. TUBE ASSEMBLY OIL PRESSURE LINE . . . . .				01
		ATTACHING PARTS				
9	MS21919WDG16	. CLAMP . . . . .				02
10	MS21919WDG4	. CLAMP . . . . .				04
11	MS35207-265	. SCREW . . . . .				02
12	MS21083N3	. NUT . . . . .				02
		—*—				
13		. ENGINE MOUNT REFER TO 71-20-00 FIGURE 01 . . . . .				RF
14	2650081-1	. BRACKET . . . . .				01
15	AN804-4	. TEE . . . . .				02
16	APTE51C1F-75D	. PRESSURE TRANSDUCER UN012 . . . . .			V34345	01
		ATTACHING PARTS				
17	MS21919WDG16	. CLAMP . . . . .				02
18	AN3-4A	. BOLT . . . . .				01
		—*—				
19	P165-5281-1	. PRESSURE TRANSDUCER UN005 ALT FOR P265-5037-2 . . . . .			V22863	01 R
- 19A	P265-5037-2	. PRESSURE TRANSDUCER UN005 ALT FOR P165-5281-1 . . . . .				01 R
		ATTACHING PARTS				
20	MS21919WDG18	. CLAMP . . . . .				01
21	AN3-5A	. BOLT . . . . .				01
		—*—				
22	AS5174J0403	. REDUCER . . . . .				01
23	MS29512-03	. O-RING . . . . .			V81343	01
24	2653048-3	. PLATE ASSEMBLY . . . . .				01
25	2653043-2	. CLAMP ASSY . . . . .				01
		ATTACHING PARTS				
26	AN3-17A	. BOLT . . . . .				04
27	NAS1149F0363P	. WASHER . . . . .				04
28	MS21044N3	. NUT . . . . .				04
		—*—				
29	AS4407J0404	. ELBOW ASSY . . . . .			V81343	01
- 30	2677260-1	. W/A-ENGINE/AIRFRAME-ELECTRICAL FUSELAGE . . . . .			B2000 B4999	01 R
- 30A	2677260-4	. W/A-ENGINE/AIRFRAME-ELECTRICAL FUSELAGE . . . . .			B5000 B5271	01 R
- 30B	2677260-5	. W/A-ENGINE/AIRFRAME-ELECTRICAL FUSELAGE . . . . .			B5271 B5500	01 R
- 30C	2677260-8	. W/A-ENGINE/AIRFRAME-ELECTRICAL FUSELAGE . . . . .			B5501 & ON	01 R

- ITEM NOT ILLUSTRATED

CESSNA®  
**MODEL 208**  
 ILLUSTRATED PARTS CATALOG

A68578



**DETAIL A**

**DETAIL B**

G1000 OIL INDICATING  
 FIGURE 03 (SHEET 1)

2610T7005  
 A2650T1009  
 B2650T1008

**CESSNA®**  
**MODEL 208**  
**ILLUSTRATED PARTS CATALOG**

FIG ITEM	PART NUMBER	NOMENCLATURE	UNITS PER ASSY				
			1	2	3	4	
03		G1000 OIL INDICATING			0500	& ON	RF
-					B2000	B4999	
1		. OIL PRESSURE REDUCER ASSY REFER TO 79-30-00 FIGURE 01 . . . . .					RF
2	S2808-4B0230	. HOSE ASSY . . . . .					01
- 2A	AE3663163E0230	. HOSE ASSY ALT FOR S2808-4B0230 . . . . .			V00624		01
3	2653048-13	. TUBE ASSEMBLY OIL VENT LINE . . . . .					01
4	2653048-7	. TUBE ASSEMBLY OIL PRESSURE LINE . . . . .					01
		ATTACHING PARTS					
5	MS21919WDG16	. CLAMP . . . . .					02
6	MS21919WDG4	. CLAMP . . . . .					04
7	MS35207-265	. SCREW . . . . .					02
8	MS21083N3	. NUT . . . . .					02
		—*—					
9		. ENGINE MOUNT REFER TO 71-20-00 FIGURE 01 . . . . .					RF
10	2650081-1	. BRACKET . . . . .					01
11	AN804-4	. TEE . . . . .					02
12	APTE51C1F-75D	. PRESSURE TRANSDUCER UN012 . . . . .			V34345		01
		ATTACHING PARTS					
13	MS21919WDG16	. CLAMP . . . . .					02
14	AN3-4A	. BOLT . . . . .					01
		—*—					
15	P165-5281-1	. PRESSURE TRANSDUCER UN005 FSO P265-5037-2 . . . . .			V22863	0500	0590
						B2000	B4999
- 15A	P265-5037-2	. PRESSURE TRANSDUCER . . . . .				0591	& ON
		ATTACHING PARTS					
16	MS21919WDG18	. CLAMP . . . . .					01
17	AN3-5A	. BOLT . . . . .					01
		—*—					
18	AS5174J0403	. REDUCER . . . . .					01
19	MS29512-03	. O-RING . . . . .			V81343		01
20	2653048-3	. PLATE ASSEMBLY . . . . .					01
21	2653043-2	. CLAMP ASSY . . . . .					04
		ATTACHING PARTS					
22	AN3-17A	. BOLT . . . . .					04
23	NAS1149F0363P	. WASHER . . . . .					04
24	MS21044N3	. NUT . . . . .					04
		—*—					
25	AS4407J0404	. ELBOW ASSY . . . . .			V81343		01
- 26	2653049-3	. ELECTRICAL ASSY-PRESSURE SWITCH . . . . .					01
26A	9910287-16	. OIL PRESSURE SWITCH UN025 . . . . .					01
26B	2677120-4	. WBA-OIL PRESSURE SWITCH . . . . .					01
		ATTACHING PARTS					
27	MS21919WDG16	. CLAMP . . . . .					01
28	MS21919WDG12	. CLAMP . . . . .					01
29	MS35207-265	. SCREW . . . . .					01
30	MS21083N3	. NUT . . . . .					01
		—*—					
31	AS5174J0404	. UNION . . . . .					01
32	AN938J4	. TEE . . . . .					01
33	MS29512-04	. O- RING . . . . .					03
- 34	2677260-1	. W/A-ENGINE/AIRFRAME-ELECTRICAL FUSELAGE . . . . .			0500	0650	01 R
					B2000	B4999	
- 34A	2677260- 4	. W/A-ENGINE/AIRFRAME-ELECTRICAL FUSELAGE . . . . .			B5000	B5271	01 R
- 34B	2677260- 5	. W/A-ENGINE/AIRFRAME-ELECTRICAL FUSELAGE . . . . .			B5272	B5500	01 R
- 34C	2677260- 7	. W/A-ENGINE/AIRFRAME-ELECTRICAL FUSELAGE . . . . .			0651	& ON	01 R
- 34D	2677260- 8	. W/A-ENGINE/AIRFRAME-ELECTRICAL FUSELAGE . . . . .			B5501	& ON	01 R

- ITEM NOT ILLUSTRATED